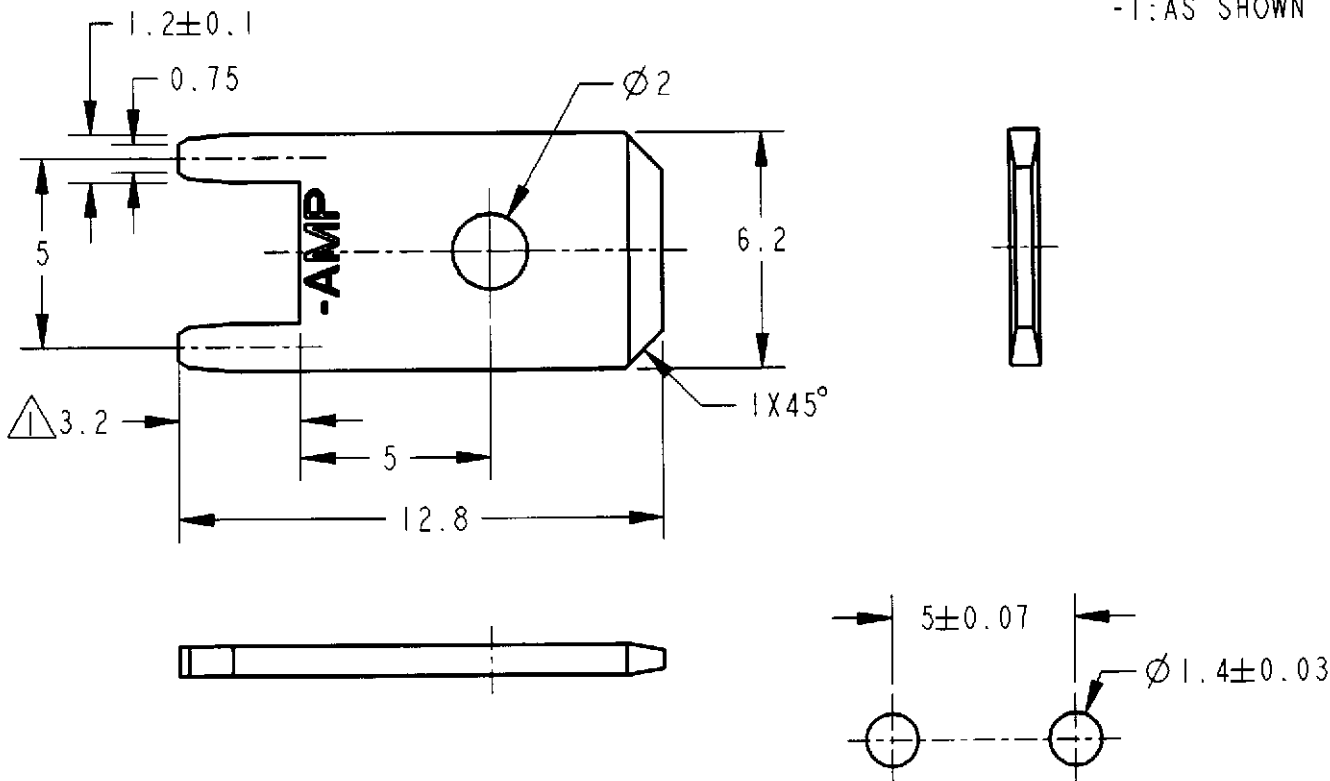


THIS DRAWING IS A CONTROLLED DOCUMENT FOR AMP INCORPORATED.
IT IS SUBJECT TO CHANGE AND THE CONTROLLING ENGINEERING
ORGANIZATION SHOULD BE CONTACTED FOR THE LATEST REVISION.

LOC	DIST	REVISTIONS						
		P	LTR	DESCRIPTION	DATE	DWN	APVD	
J	-	B		REDRAWN W/O CHANGE	FJ00-1963-98	15OCT98	TS	KB

-1:本図
-1:AS SHOWN



基板穴あけ寸法
PC BOARD HOLE DIMENSION

△ 半田付性
下記条件で半田が浸漬面積の75%以上付着のこと
浸漬長さ: 3.2
フラックス: ロジン7~10%含有メタノール液
半田温度: 230±5°C
半田浸漬時間: 3±0.5秒

△ SOLDERABILITY
SOLDERABILITY 75% MIN WITH FOLLOWING CONDITION
IMMERSION DEPTH: 3.2
FLUX: METHANOL CONTAINING ROSIN 7~10%
SOLDER TEMPERATURE: 230±5°C
IMMERSION DURATION: 3±0.5 SECONDS

/AUTOC/NEW/U.091-VU13/U.25U_PCB_TAB/C-11U261

19

RELEASED FOR PUBLICATION

ALL RIGHTS RESERVED. BY AMP INCORPORATED. COPYRIGHT 19

THIS DRAWING IS UNPUBLISHED.

DIMENSIONS: 単位: 概 mm	DWN	T. SHINOHARA	15OCT98	WIRE RANGE 絶縁電線番号種	-	INSULATION DIA 被覆外径	-	
	CHK	K. BETSUI	15OCT98	MATERIAL 材料	BRASS 黄銅 0.8t	FINISH 仕上	PRE-TIN 錫めっき	
TOLERANCES UNLESS OTHERWISE SPECIFIED: 一般公差 = ± 0.4	APVD	K. BETSUI	15OCT98	AMP (JAPAN), LTD. Kawasaki, Japan				
	PRODUCT SPEC 製品規格	NONE						
0 PLC ±	APPLICATION SPEC 取付適用規格			NAME 名称	250 SERIES P.C.B TAB (POSITIVE LOCK TAB) 250シリーズ P.C.B タブ (ポジティブロック リセ)			
1 PLC ±0.1	WEIGHT	0.043g	SIZE	A4	CAGE CODE	00779	DRAWING NO 番号	C-170267
2 PLC ±0.01	CUSTOMER DRAWING			RESTRICTED TO	-			
3 PLC ±0.001				SCALE	5:1	SHEET	1	OF
4 PLC ±0.0001				尺数				
ANGLES ±1°00'								